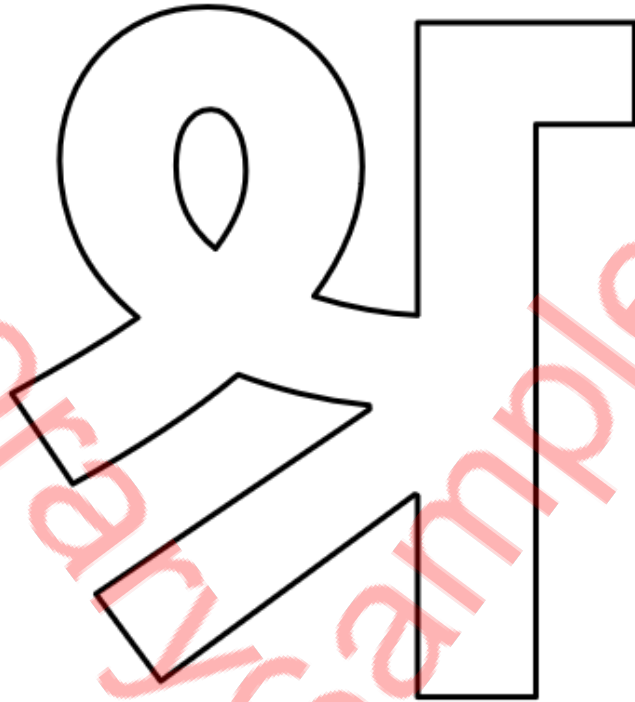


श (shra) Alphabet Hindi

Fill with any Colour.



Draw line and connect each dot.



Student Name: _____

Verified By: _____

Class: _____

Date: _____

Trace it

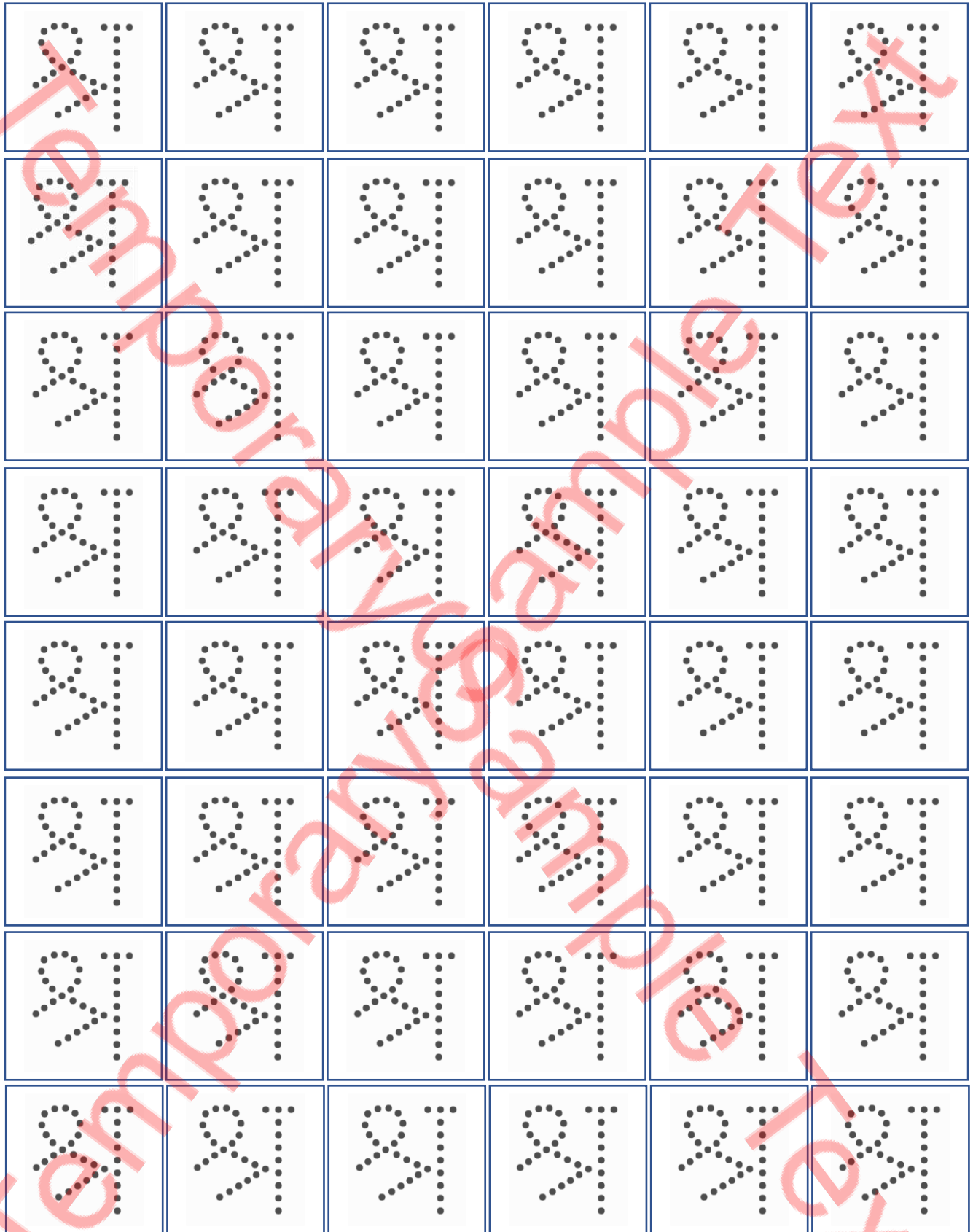
।	।	।	।	।	।
।	।	।	।	।	।
।	।	।	।	।	।
।	।	।	।	।	।
।	।	।	।	।	।
।	।	।	।	।	।
।	।	।	।	।	।
।	।	।	।	।	।

Student Name: _____

Verified By: _____

Class: _____

Date: _____

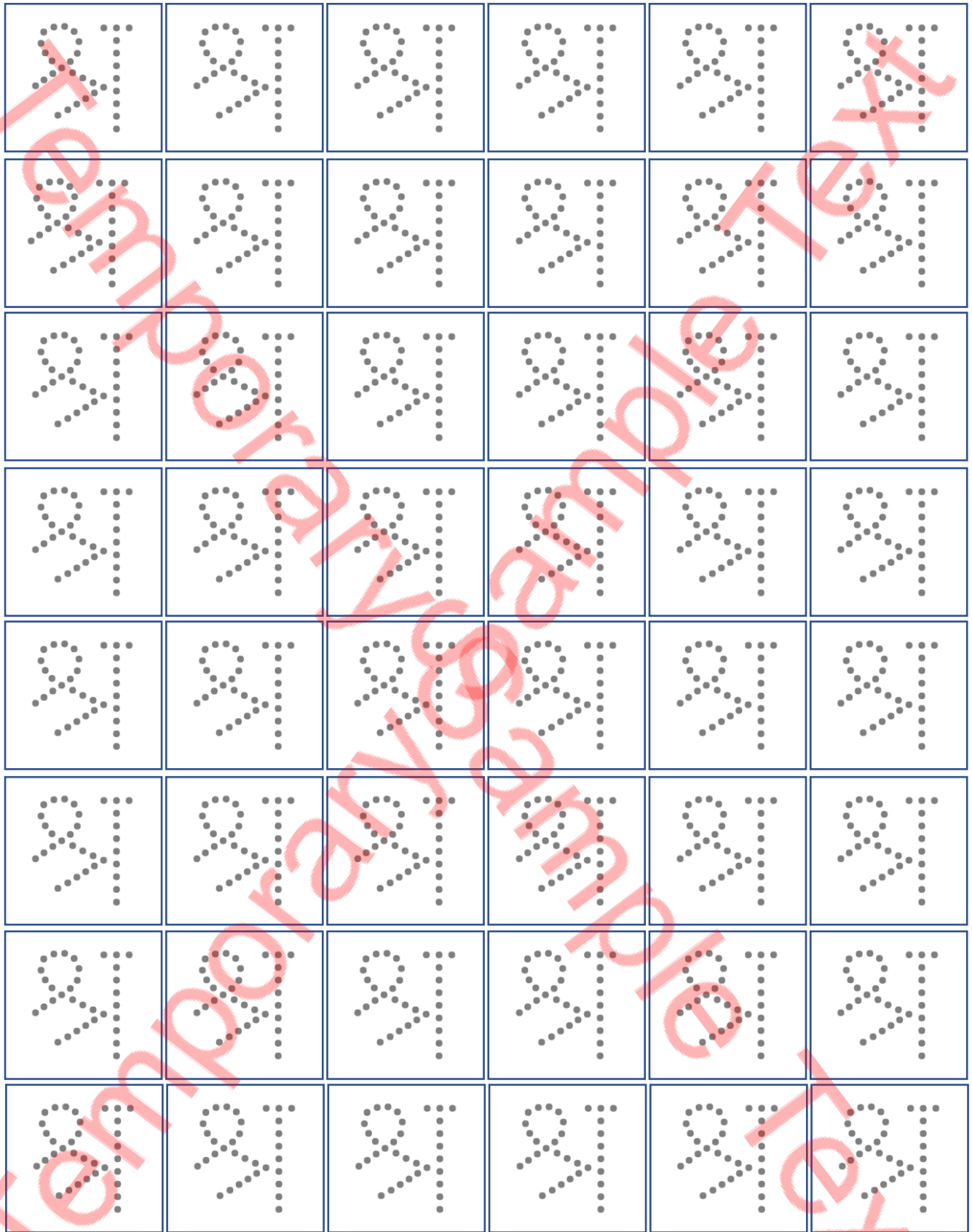


Student Name: _____

Verified By: _____

Class: _____

Date: _____

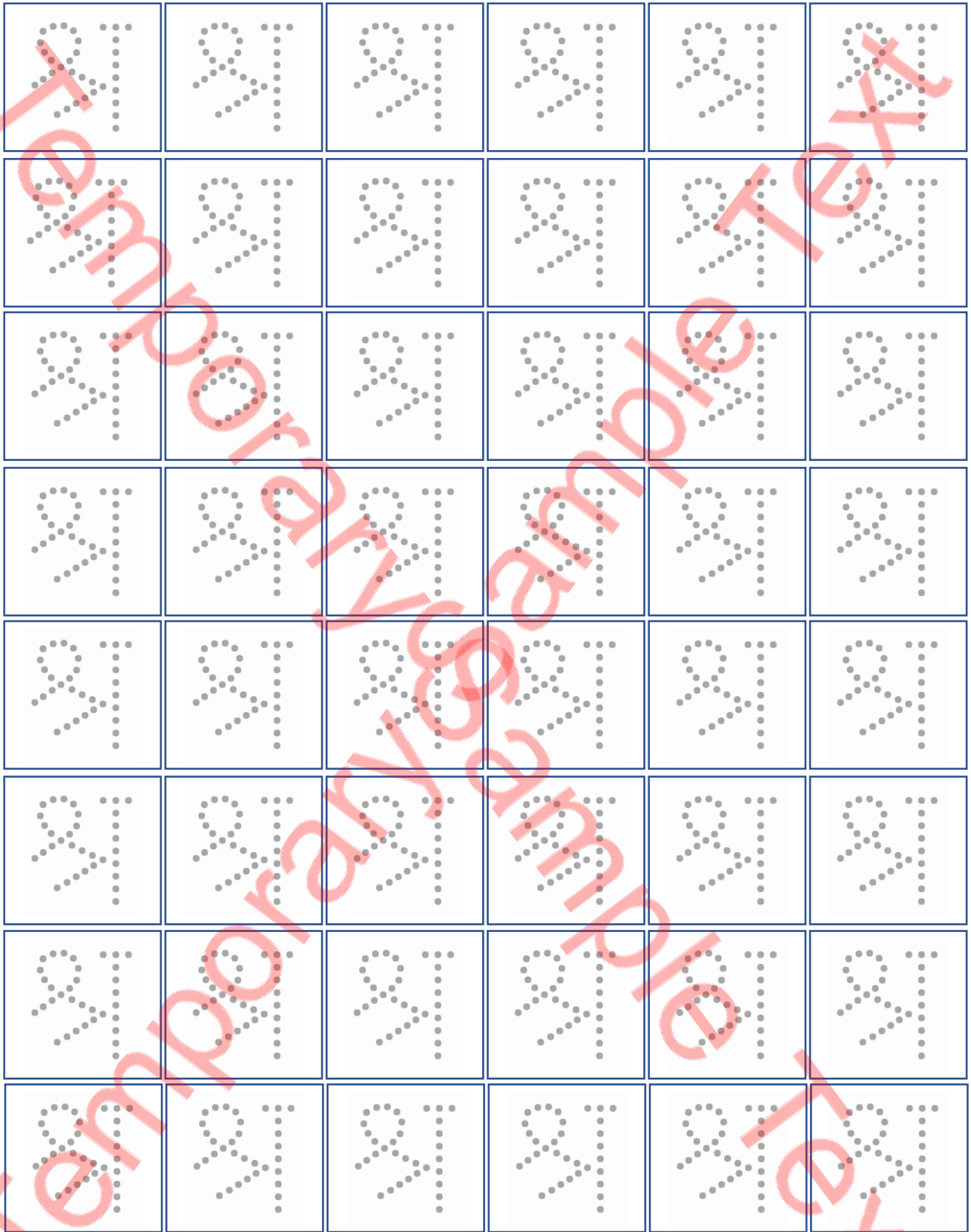


Student Name: _____

Verified By: _____

Class: _____

Date: _____

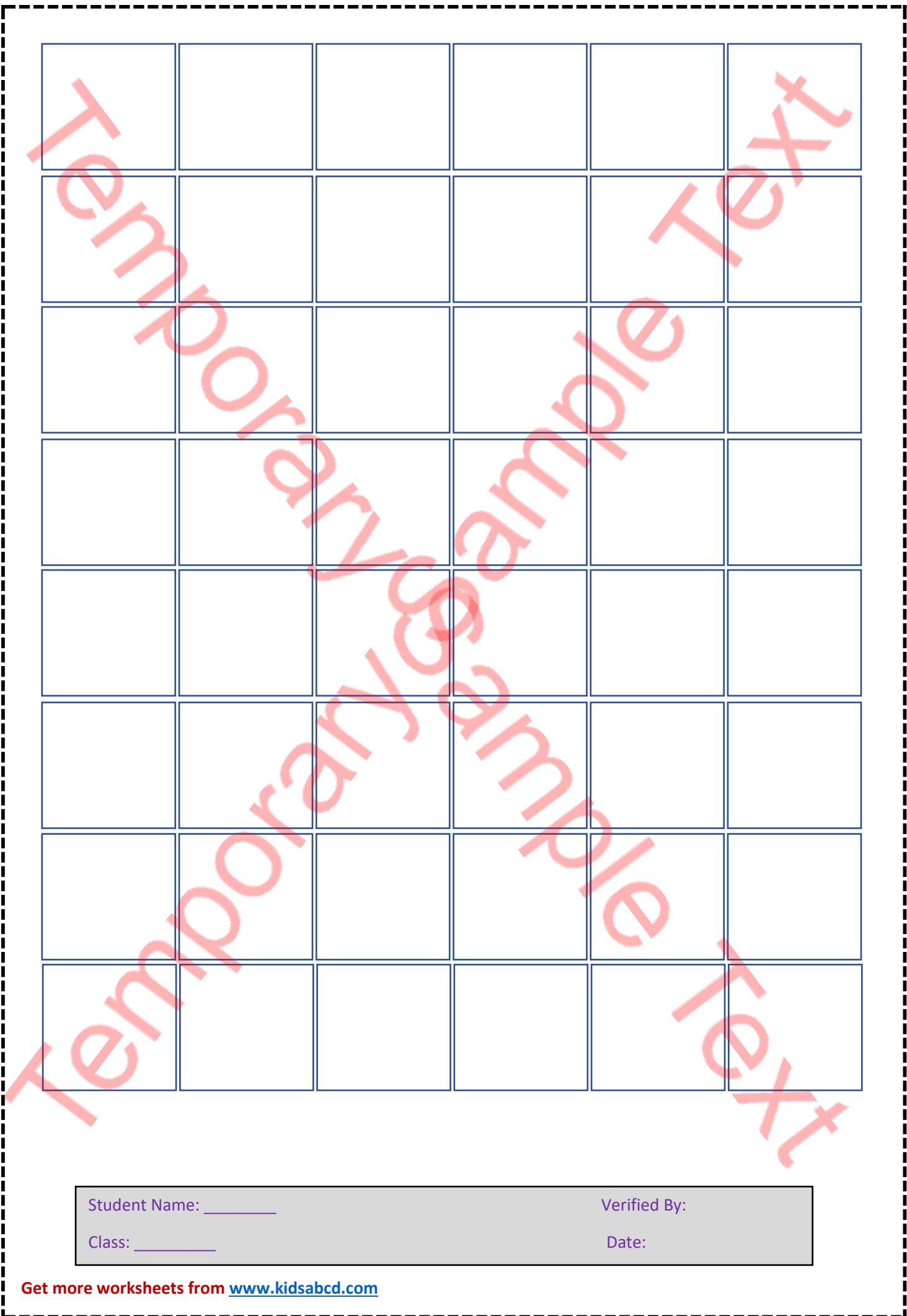


Student Name: _____

Verified By: _____

Class: _____

Date: _____



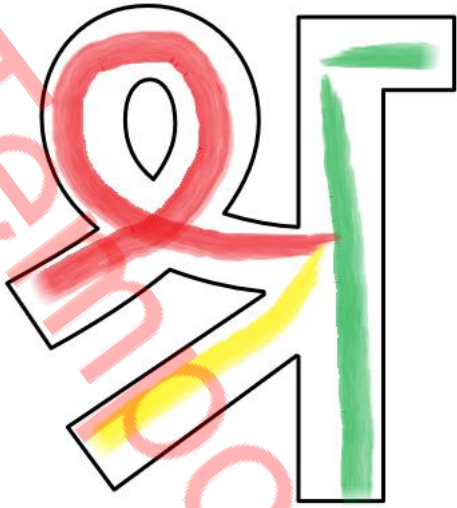
Student Name: _____

Verified By: _____

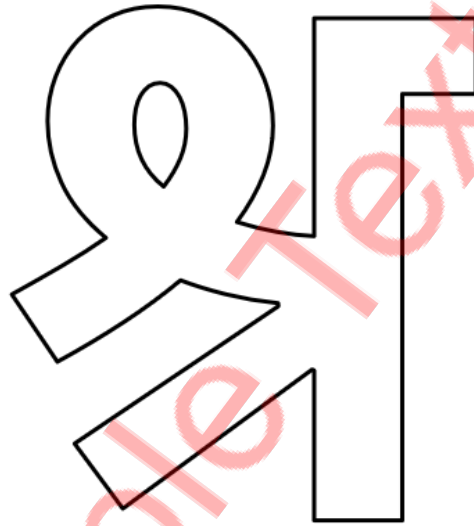
Class: _____

Date: _____

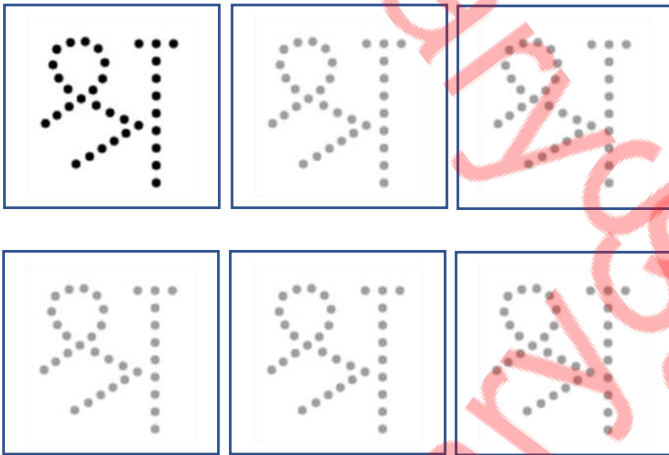
Copy Colour



Colour it



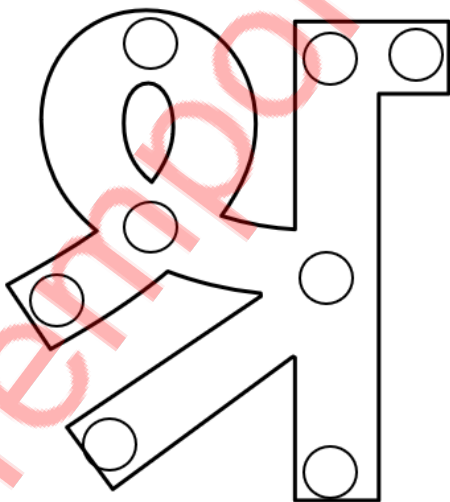
Trace it



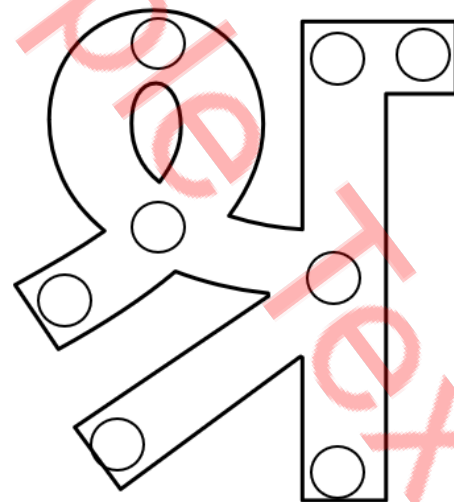
Find it



Connect the circle



Do it again



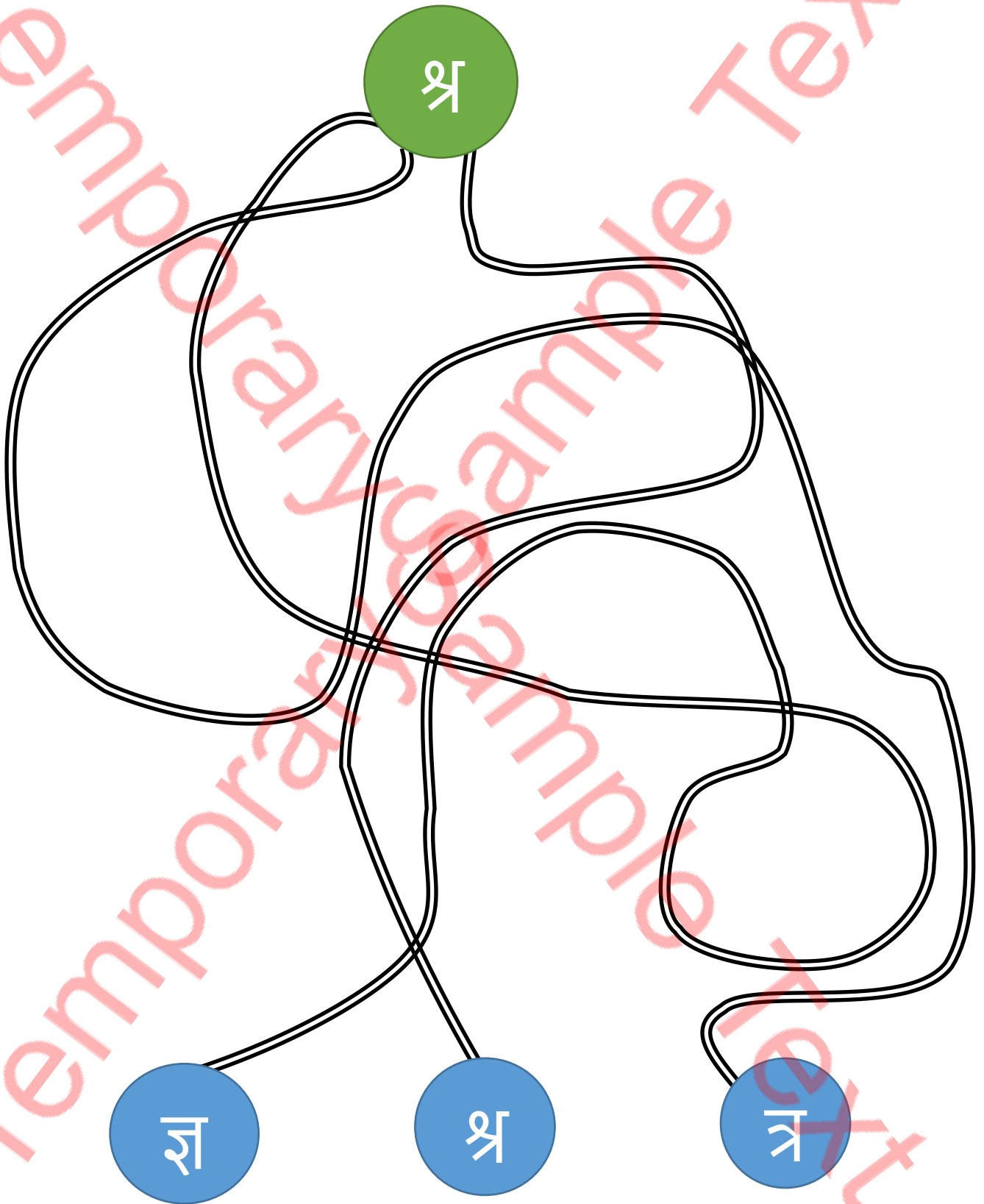
Student Name: _____

Verified By: _____

Class: _____

Date: _____

Pick the Path Find the Correct Alphabet



Student Name: _____

Verified By: _____

Class: _____

Date: _____